

**SPEC SHEET**  
PX12F-mV

Interchangeable with  
Model TH-BS

**\$425**  
Model Shown

**PX12F SERIES**  
mV/V Output

0-15 to 0-20,000 psi  
0-1 to 0-1,300 bar

1 bar = 14.5 psi  
1 kg/cm<sup>2</sup> = 14.22 psi  
1 Atmosphere = 14.7 psi = 29.93 in-Hg = 760.2 mm-Hg = 1.014 bar

- Hermetically Sealed Stainless Steel Construction
- Heavy Duty Industrial Design
- High Reliability Semi-Conductor Strain Gages Yield High 10 mV/V Output
- 5 Point Calibration Included

The OMEGADYNE™ PX12F Series are high accuracy, high millivolt output, industrial pressure transducers. The hermetically sealed, all stainless steel case makes them suitable for the harshest industrial applications. Available with either shielded cable, twist lock connector, or solder eyelets and a 1/2 NPT Female fitting make this one of the most versatile transducers available. Pressure Ranges from 0-5 up to 20,000 psi cover most processing and industrial applications.

**For Sales and Service  
In U.S.A. and Canada**

**1-800-872-3963<sup>SM</sup>**  
**1-800-USA-DYNE**

**International Customers Dial  
(614) 965-9340**  
24-Hour FAX (614) 965-9438

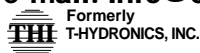
**OMEGADYNE<sup>SM</sup> FAX**

OMEGADYNE's 24-Hour  
On-Line Publishing Service

**1-800-344-3963<sup>SM</sup>**  
**1-800-DIG-DYNE**

Document # 3669

**OMEGADYNE, Inc.**  
149 Stelzer Court, Sunbury, OH 43074  
<http://www.omegadyne.com>  
e-mail: [info@omegadyne.com](mailto:info@omegadyne.com)



© COPYRIGHT 1996 OMEGADYNE, INC. ALL RIGHTS RESERVED.



**Model PX12F0-100GV \$425**  
Shown Smaller than Actual Size

# HIGH OUTPUT INDUSTRIAL TRANSDUCERS

Hermetically Sealed

► **Most Popular Models Highlighted** ◀

Prices Shown in U.S. Dollars

To Order (Specify Model Number)			
Range (psig)	Model Number	Price	Compatible Meters
0-10	PX12F0-010GV	\$425	INFS, INFCS
0-15	PX12F0-015GV	425	INFS, INFCS
0-50	PX12F0-050GV	425	INFS, INFCS
0-100	PX12F0-100GV	425	INFS, INFCS
0-200	PX12F0-200GV	425	INFS, INFCS
0-300	PX12F0-300GV	425	INFS, INFCS
0-500	PX12F0-500GV	425	INFS, INFCS
0-1,000	PX12F0-1KGV	425	INFS, INFCS
0-2,000	PX12F0-2KGV	425	INFS, INFCS
0-3,000	PX12F0-3KGV	425	INFS, INFCS
0-5,000	PX12F0-5KGV	425	INFS, INFCS
0-10,000	PX12F0-10KGV	425	INFS, INFCS
0-20,000	PX12F0-20KGV	425	INFS, INFCS*

\* 4 Digit meter, counts in increments of 10.  
Interchangeable with Model TH-BS

Metric Ranges Available -Consult Engineering

All ranges available in Gage, Sealed Gage and Absolute Pressure.

To order Absolute Pressure replace "G" in model number with "A" (add \$10).

To order Sealed Gage pressure replace "G" in model number with "S" (no charge).

**Ordering Examples:** 1.) PX12F0-500SV is a 500 psi Sealed gage model with mV/V output, 18 ft lead wire and a 1/2-14 internal NPT thread, \$425. 2.) PX12F0-100AV is a 100 psi absolute pressure transducer with mV/V output, 18 ft lead wire and a 1/2-14 internal NPT thread, \$425+\$10=\$435.

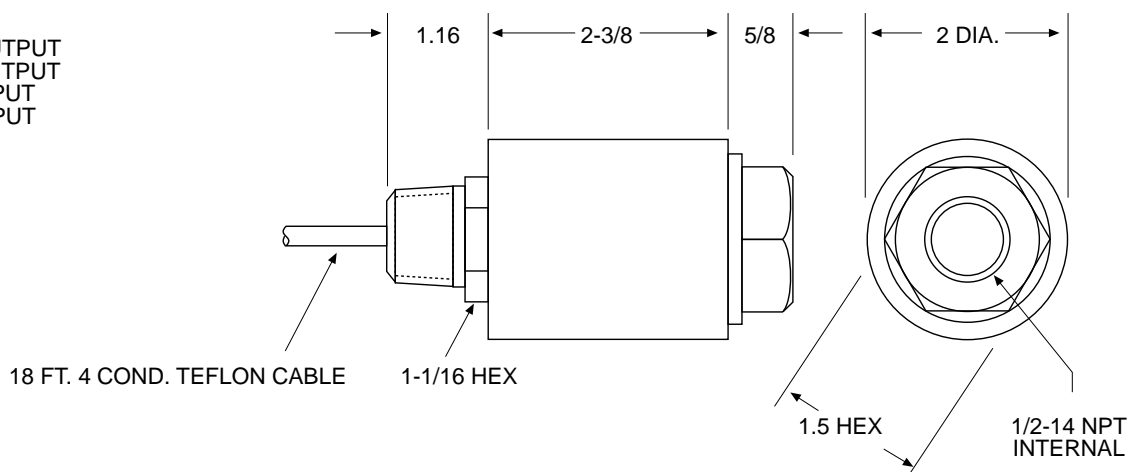
Printed On Recycled Paper



### PX12FO mV Output

#### Wiring Code

Green + OUTPUT  
 White - OUTPUT  
 Black - INPUT  
 Red + INPUT



#### SPECIFICATIONS: mV/V Output

##### Electrical:

**Excitation:** 5 V ac/dc (10V ac/dc Max)

**Output:** 10 mV/V  $\pm 1\%$

**Input Resistance:** 1500 ohms nominal

**Output Resistance:** 500 ohms nominal

**Zero Balance:**  $\pm 2.0\%$  FSO

##### Performance:

**Accuracy:**  $\pm 0.5\%$  Linearity, Hysteresis, and Repeatability Combined

##### Environmental:

##### Operational Temp Range:

-46 to +121°C (-50 to +250°F)

##### Compensated Temp Range:

-18 to +66°C (0 to +150°F)

##### Thermal Effects:

Span: 0.01% Rdg/F

Zero: 0.01% FSO/F

##### Pressure:

**Proof Pressure:**  
 22,500 psi or 200% of rated pressure  
 whichever is less

##### Burst Pressure:

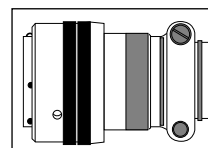
300% of rated pressure

##### Mechanical:

**Wetted Parts:** 17-4 PH Stainless Steel

**Pressure Port:** 1/2-14 NPT Internal

**Electrical Connection:** 18 ft (5.5m)  
 4-conductor PVC shielded cable



**Mating Connector  
 PT06F-10-6S,  
 \$26.50**

#### CUSTOM CONFIGURATIONS:

SERIES PX12F	PRESSURE PORT [ 1 ]	ELECTRICAL CONNECTION [ 2 ]	RANGE (PSI) [ 3 ]	UNITS [ 4 ]	OUTPUT [ 5 ]	OPTIONS [ 6 ]
	F = 1/2-14 NPT-Female		5*	S,G,A	V = mV/V \$425	
			10	S,G,A	I = 4-20 mA \$595	
			15	S,G,A		
			25	S,G,A		
			50	S,G,A		
			100	S,G,A		
			200	S,G,A		
			250	S,G,A		
			300	S,G,A		
			400	S,G,A		
			500	S,G,A		
			1K	S,G,A		
			1K	S,G,A		
			2K	S,G,A		
			3K	S,G,A		
			4K	S,G,A		
			5K	S,G,A		
			6K	S,G,A		
			10K	S,G,A		
			15K	S,G,A		
			20K	S,G,A		

\*5 psi range available only with mA output.  
 For Absolute Pressure add \$10.

**To Order a Custom Configuration:**  
 1. Select a Pressure Port  
 2. Select Electrical Connection  
 3. Select a Pressure Range  
 4. Select Pressure Units  
 5. Select Output  
 6. Select Options and Agency Approvals

\* 4 Digit meter, counts in increments of 10.

Interchangeable with Model TH-BS

To order Absolute Pressure replace the "G" in model number with "A" (add \$10).

To order Sealed Gage Pressure replace the "G" in model number with an "S".

**Ordering Examples:** 1.) PX12F0-500GV is a 500 psi Gage Pressure model with mV/V output, an 18 ft (5.5m) lead wire and a 1/2-14 internal NPT thread, \$425.

2.) PX12F0-100AI is a 100 psi Absolute Pressure transmitter, 4-20 mA output, an 6 ft (1.8m) lead wire and a 1/2-14 internal NPT thread, \$595+\$10= \$605.

3.) PX12F1-5KSI is a 5,000 psi Sealed Pressure transmitter, 4-20 mA output, an 6 ft (1.8m) lead wire and a Bendix PT1H-10-6P connector, \$595. Mating Connector (not included) Model PT06F-10-6S, \$26.50.

Metric Ranges Available -Consult Engineering